

Jabra GN

team  
yellow

ROOM SET-UP GUIDE



PANACAST 50 VIDEO BAR SYSTEM

# Meeting Room Set-up Guide for Partners

Certified for  
Microsoft Teams

zoom  
Certified

# Access growing Android market opportunities with our revolutionary all-in-one PanaCast 50 Video Bar System

**You already know about our multi-award-winning PanaCast 50 collaboration experience. Well, we've gone one better. All-in-one in fact.**

Our super-inclusive, no-PC-needed PanaCast 50 Video Bar System for Android OS gives you great opportunities to build new business with Android customers, and tap into a bigger share of the small and medium meeting room market. Now you can create new signature and dynamic room archetypes where everyone is included. Improve their system return on investment, and minimize cable clutter, vendors, and deployment time. And with premium service add-ons to offer, you can take their meeting experience and your sales to a whole new level.

It's the all-inclusive solution that's all-good for everyone.



# Deliver ultimate meeting simplicity with multi-award-winning PanaCast 50 performance

## Open Android customers' eyes to a whole new world of meeting room possibilities

Introducing new room archetypes, like Microsoft Front Row setup, exclusively enabled by unique 180° room coverage, intelligent experiences, and state-of-the-art Android™ processor for the best video conference experience.

## Blow them away with world-leading professional sound

PanaCast 50 Video Bar System packs over 150 years of audio expertise, with full duplex audio, four stereo speakers, and eight beamforming microphones for distraction-free conversations, offering a collaboration-boosting professional sound.

## Offer the stress-free answer to more inclusive meetings

Streamlined PanaCast 50 Video Bar System is uniquely designed for easy-to-use hybrid meetings with a PIR motion sensor that wakes up the premium PanaCast Control touchscreen tablet. It has AI-enabled intelligent meeting features for remote attendees to follow the meeting action easily.

## Make your job easier with super-simple deployment

Our system is super smart yet simple to integrate, configure, set up, and manage remotely with Microsoft Teams Rooms or Zoom Room certification. On-device encryption, wired Ethernet, and ready-for WiFi connectivity ensure secure data protection. Multiple mounting options\* and minimal cabling offer greater flexibility and ease of installation. Welcome to the simple life.

\*Including wall mount, table, stand, and VESA display mount options. Table stand and VESA display mount are sold separately.

## Give customers something to look forward to

PanaCast 50 Video Bar System has 7 Edge and 3 Edge AI-enabled capabilities for room optimization insights and immersive collaboration experiences. Feature updates and Microsoft Teams / Zoom Rooms certification futureproof your customers' investment and keep you ahead of the competition.

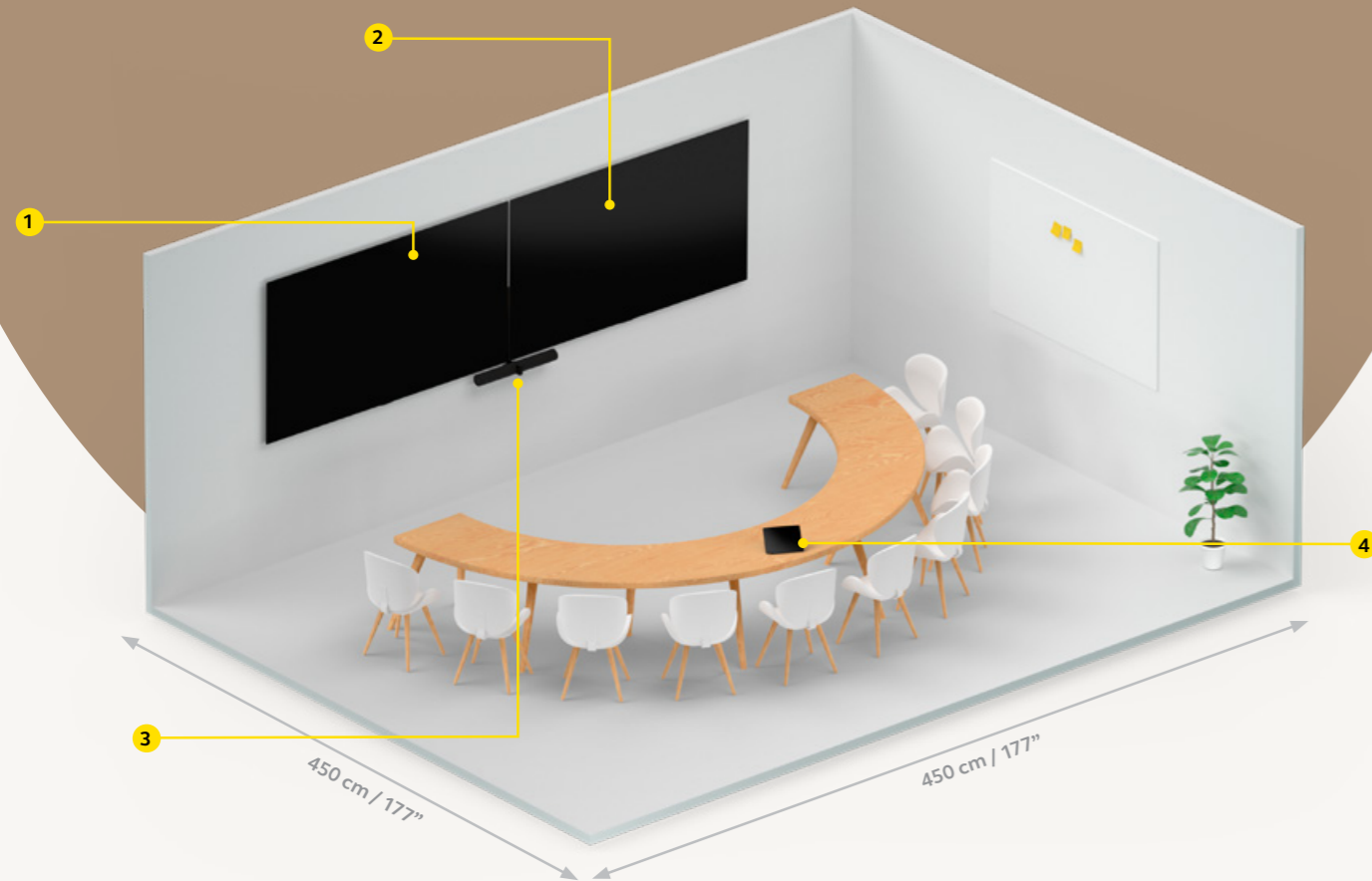


1 -2 displays

Jabra PanaCast 50 Video Bar System mounted centrally underneath the screen(s)

PanaCast Control tablet with table stand

## New signature setup for medium meeting rooms



### OPTIMIZED EQUIPMENT PLACEMENT IN A MEDIUM MEETING ROOM

Two wall-mounted screens: **recommended screen size: 140cm / 55"**

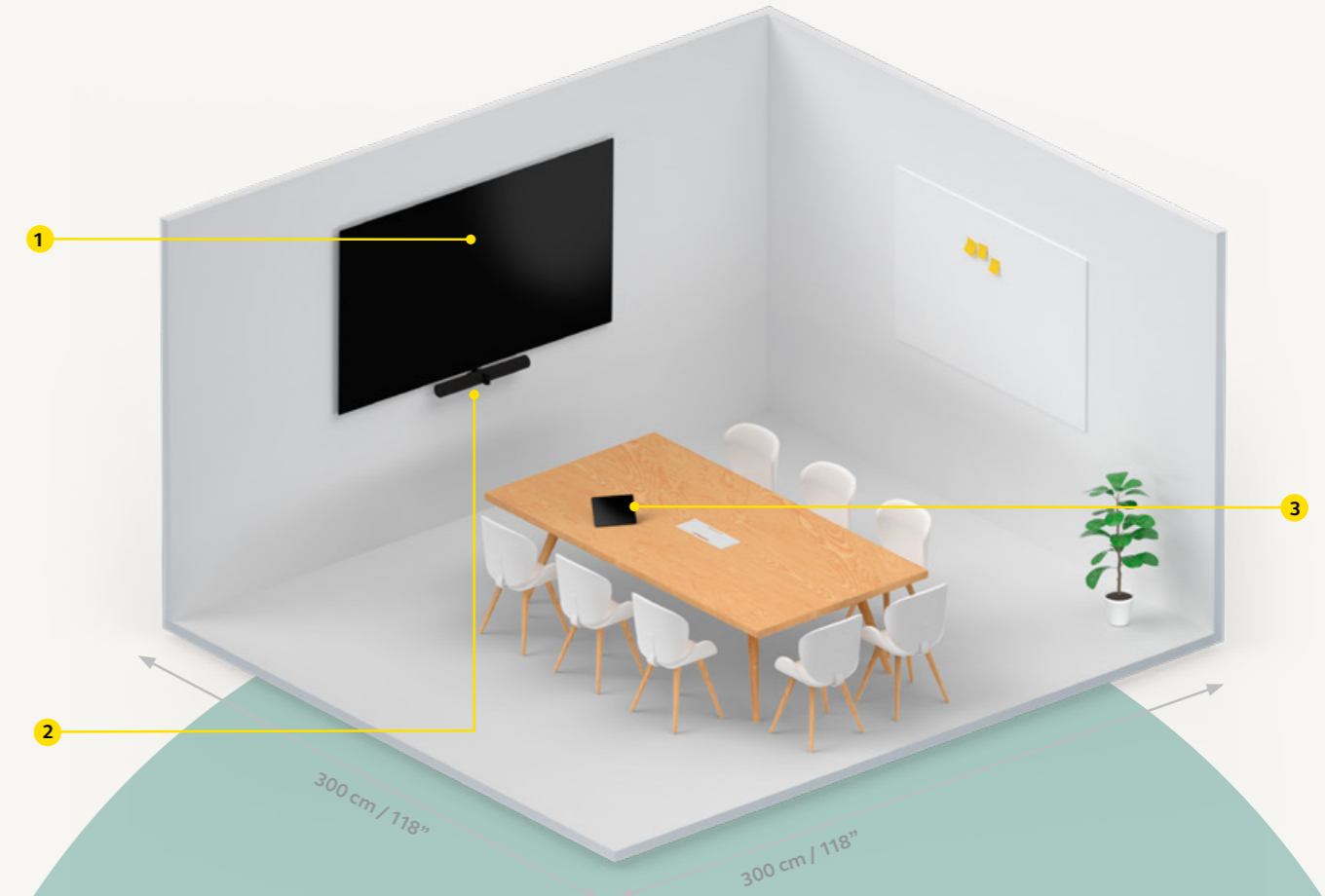
- 1 + 2**
- For optimal viewing of screen(s), recommended placement of first seat is **minimum 90cm / 36" away**
  - Recommended distance from bottom of screen to floor: **height 100cm/39"**

Video bar with **180° field-of-view**

- 3**
- Place centrally underneath screen(s)
  - **8cm / 3.2"** from top of wall mount to bottom of screen

- 4** **Tablet** with table mount

## Setup for small meeting rooms



### OPTIMIZED EQUIPMENT PLACEMENT IN A SMALL MEETING ROOM

One wall-mounted screen: **Recommended screen size: 140cm / 55"**

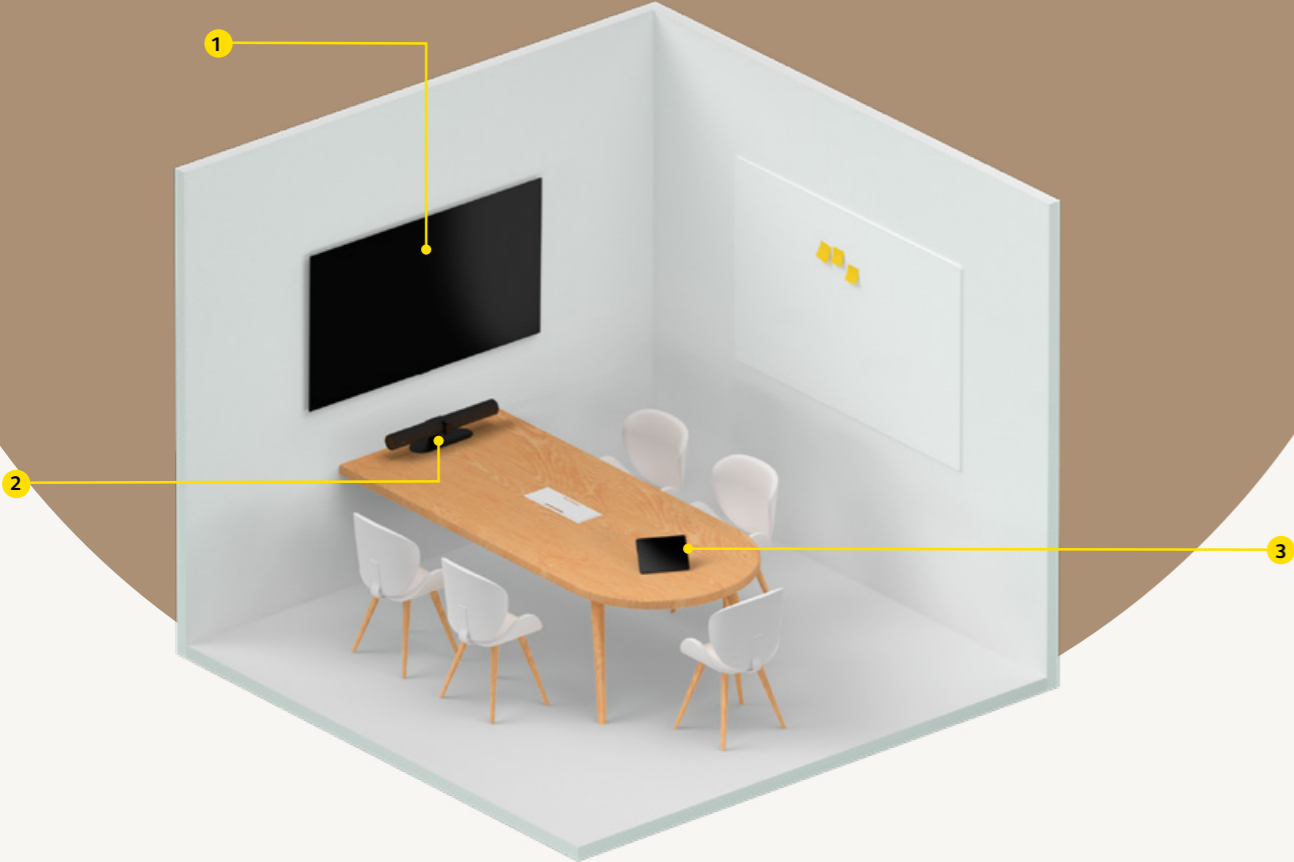
- 1**
- For optimal viewing of screen(s), recommended placement of first seat is **minimum 60cm / 23" away**
  - Recommended distance from bottom of screen to floor: **height 100cm/39"**

Video bar with **180° field-of-view**

- 2**
- Place centrally underneath screen(s)
  - **8cm / 3.2"** from top of wall mount to bottom of screen

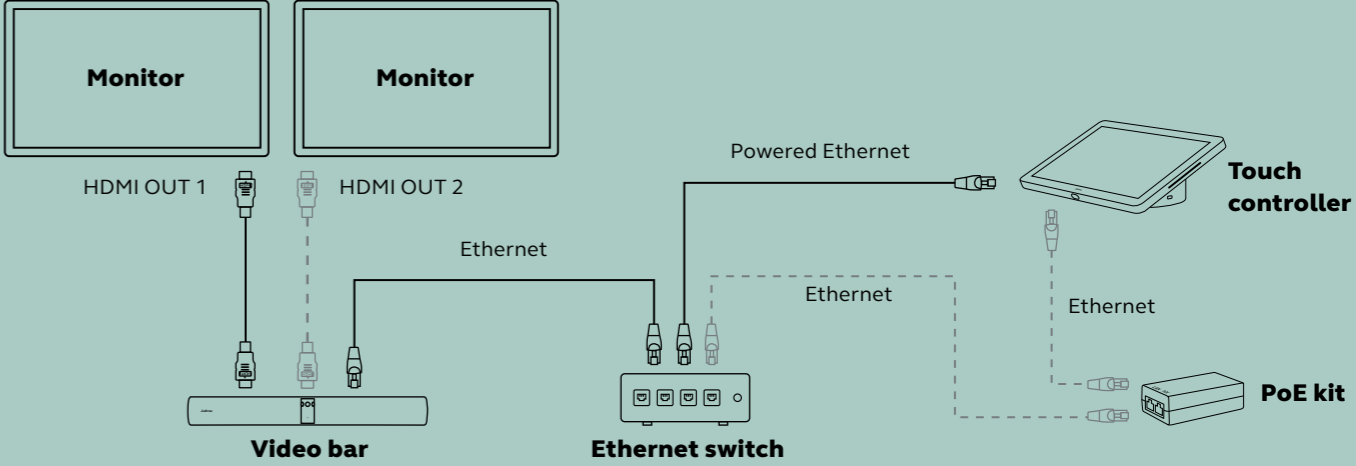
- 3** **Tablet** with table mount

# New signature setup for huddle rooms



## Cabling overview

Straightforward cabling with a PoE kit to connect the tablet.



### OPTIMIZED EQUIPMENT PLACEMENT IN A HUDDLE ROOM

One wall-mounted screen: **recommended screen size: 140cm / 55"**

- 1
  - For optimal viewing of screen, recommended placement of first seat is **minimum 60cm / 23" away**
  - Recommended distance from bottom of screen to floor: **height 100cm/39"**

Video bar with **180° field-of-view**

- 2
  - Place centrally underneath screen(s)
  - **8cm / 3.2"** from top of wall mount to bottom of screen

- 3 **Tablet** with table mount

## JABRA PANACAST 50 VIDEO BAR SYSTEM

The next big thing in video  
is just a tap away



Find more video sales enablement tools on

---

[yellowhub.jabra.com](https://yellowhub.jabra.com)